

Clear
treat
Powder
Feeder

Control
Panel

300 Gallon
Clean Water
Holding Tank

3 variable
Speed Mixers

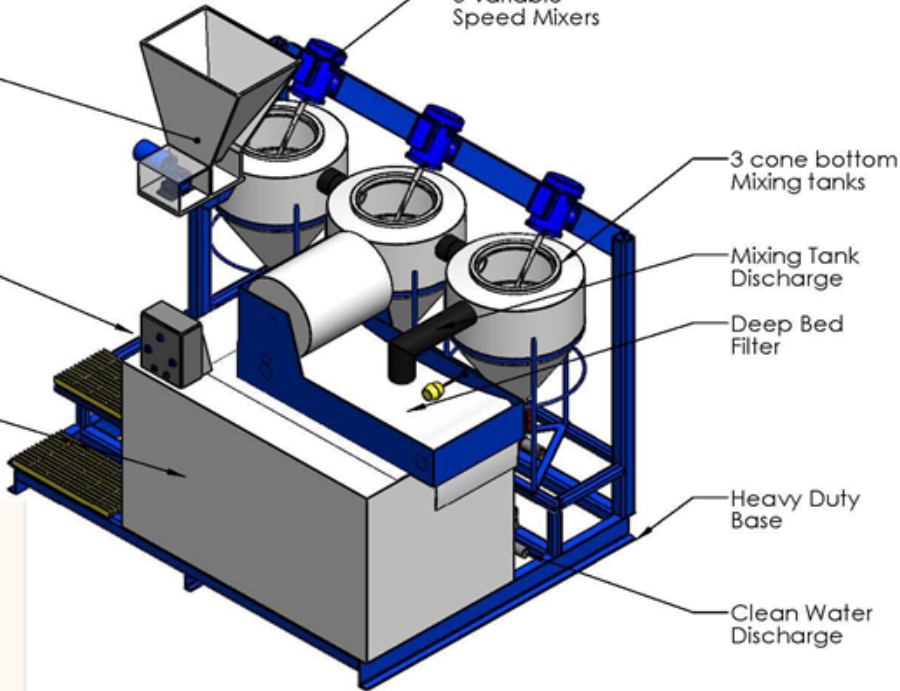
3 cone bottom
Mixing tanks

Mixing Tank
Discharge

Deep Bed
Filter

Heavy Duty
Base

Clean Water
Discharge



	NAME	DATE	Wilson Environmental, Inc.		
DRAWN			TITLE: Model 700 Inline		
CHECKED					
ENG APPR.					
MFG APPR.					
Q.A.					
COMMENTS:			SIZE	DWG. NO.	REV
			A	Model 700 inline1	
			SCALE: 1:48	WEIGHT:	SHEET 1 OF 2